

LiveLink

Light management revolutionarily simple.



A mystery.

Why so little light is intelligently controlled.

Too complicated, too time-intensive, too risky, too expensive - many electricians are sceptical about the commercially available light management systems and therefore avoid them whenever possible. At the same time, the subject of intelligent light is becoming more and more of a focus of general interest. The demand for intelligent and therefore energy-efficient lighting is growing and growing. Those who want to adapt and exploit the huge potential have to face the new customer needs and market demands.

Intelligent solution.

Planning and installation made easy.

To this end, STEINEL and TRILUX have focussed their competences and developed an intelligent light management system that at the same time helps planners and installers to expand their range of services and to win new customers. With minimum effort. Without stress. How? Very simply - with LiveLink!

LiveLink is a modern and perfectly balanced light management system that is a winner thanks to revolutionarily simple planning, installation and operation. With just one control device and two convenient and intuitive apps, individually definable rooms can be configured in next to no time. LiveLink also provides a large selection of preset room configurations (use cases), that make planning considerably easier. More complex, individual lighting scenarios can be modified in no time. Cabling and configuration are finished in a few minutes. Thanks to the simple "Plug & Play" installation, no special prior DALI knowledge is necessary.



Light management was never more reliable, quicker or simpler to plan, install and operate! With LiveLink, discover a new, fascinating simplicity in working with intelligent lighting technology and turn your ideas and those of your customers into reality with ease.

Everything you need.



LiveLink control device



LiveLink Sensor



Switch and Switch coupler



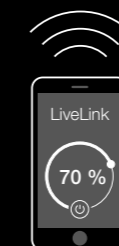
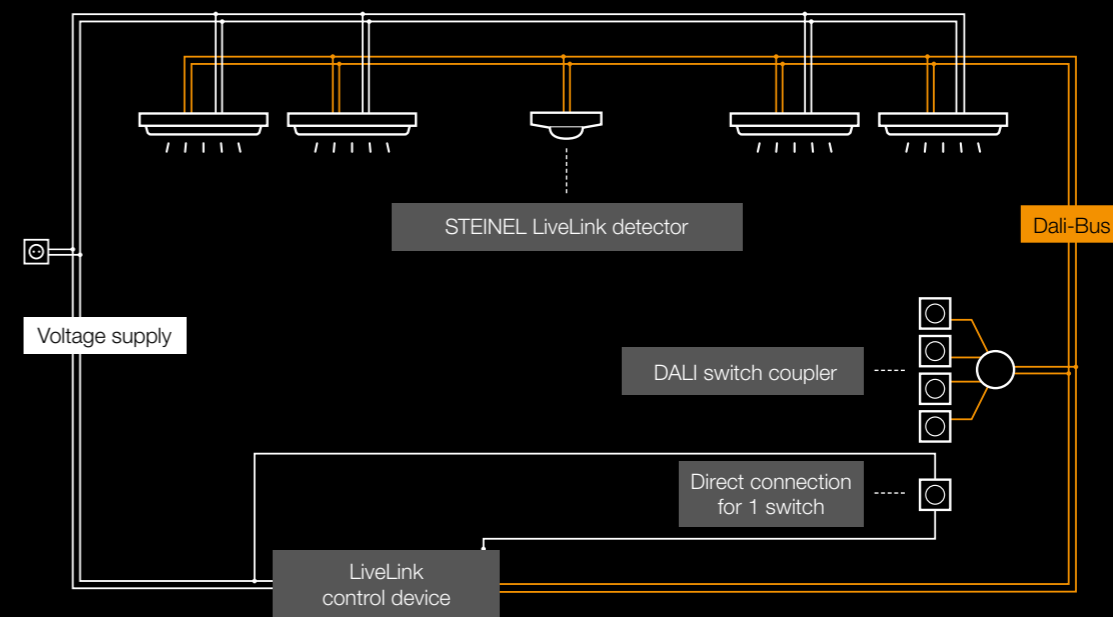
5-core cable



TRILUX-DALI light

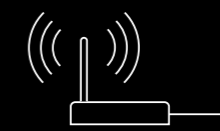
Fast installation. A sure bet.

Simple cabling via 5-core NYM cable.



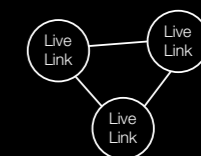
Set-up via tablet

optional



Connection to building network structure

optional



Interconnection of several LiveLink systems

LiveLink Products Overview



Control device LiveLink

- Compact design with a height of 21 mm
- Universal DALI interface
- Direct connection for 1 switch
- Control and supply of up to 16 light groups and 64 individual components
- Control via tablet, smartphone or switch
- Security via autonomous encrypted Wi-Fi network
- Power-cut-safe storage of configuration

EAN 4007841 013653



Presence detector IR Quattro HD LiveLink

- 360° infrared presence detector
- For offices and conference rooms
- 4,800 switching zones for detecting the slightest of movements across 64 sq.m.
- Unique square detection zone
- Patented mechanical scalability without loss of quality

EAN 4007841 009717



Presence detector Dual HF LiveLink

- High-frequency corridor sensor
- For corridors, passageways and aisles in residential and office buildings
- 20m reach, 10 m in each direction
- Detects everything equally well whichever direction it is approached from
- HF sensor detects through thin walls and suspended ceilings

EAN 4007841 009700



Light Sensor Light Sensor Dual LiveLink

- Light sensor with 2 light measurements
- Diffused light measurement for monitoring the room brightness
- Directional light measurement for monitoring areas beneath the sensor

EAN 4007841 009762



Motion detector IS 3360 MX Highbay LiveLink

- 360° infrared ceiling sensor
- For large halls or entrances
- Ceiling installation at a height of up to 14 m
- 18m reach radius

EAN 4007841 009724



Motion detector IS 345 MX Highbay LiveLink

- Infrared corridor sensor
- High-bay warehouses and aisles up to 14 m high
- Detection zone 30 m long and 4 m wide
- Lens specifically geared to corridors

EAN 4007841 009731



Switch coupler LiveLink

- Integration of standard switches into the LiveLink system
- Up to 4 switches per switch coupler

EAN 4007841 013660



TRILUX-DALI lights

Intelligent Partnership.

STEINEL & TRILUX: Know-how squared.

Two big names, one big goal: Intelligent light for everyone! STEINEL is the technology- and innovation leader in the sensor-controlled lighting market segment. TRILUX is the German market leader in professional lighting solutions. Working together, they are the inventors of the simplest light management system of all time. Welcome to the new world of light. Welcome to LiveLink!

For further details, go to: www.steinel-professional.de/livelink



We would like to thank the Evangelischen Schulzentrum in Michelbach an der Bilz for the realization.