

High-bay sensors.  
Detection quality at the highest level.

**Specifically for high ceilings.  
And high expectations.**

Most high-bay warehouses, machine halls, terminal buildings and depots - as well as the corridors in them - have very high ceilings. This is a problem for conventional sensors. Developing its high-bay sensors, STEINEL offers the ideal solution to ensure reliable detection from installation heights of up to 14 metres. Can easily be added to existing lights. So thinking about higher standards isn't a problem.



HBS 300 Highbay

High-bay sensors.  
Detection quality at the highest level.



The HBS 300 Highbay directly controls existing lights installed at great heights.

# HBS 300 Highbay

## Sits on the light and watches over large areas.

High ceilings are a major challenge for motion detectors. The HBS 300 Highbay 360° infrared sensor has no problems coping with them – and provides that all-important additional level of safety and efficiency in factories and warehouses. This is guaranteed by the three built-in PIR sensors which effectively and accurately control the light in open areas from a height of up to 14 metres in a radius of 18 metres. Also because lights can be controlled directly at a great height. And with the optionally available MF-1, all this can be done by wireless interconnection.

CONTROL  
PRO  
SYSTEM

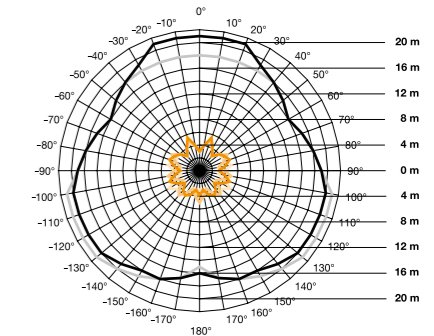
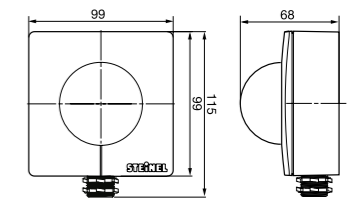


-  infrared sensor 360°
-  18 m
-  1200W max.
-  IP 20
-  14 m
-  2–2000 lux
-  15 sec - 30 min
-  energy saving
-  5 YEAR WARRANTY functional warranty

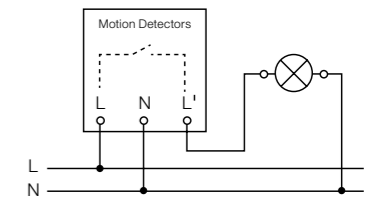
EAN HBS 300 Highbay	4007841 005610
Type	Motion detector
Dimensions (H x W x D)	115 x 99 x 66 mm
Power supply	220–240 V, 50/60 Hz
Sensor technology	Passive infrared
Where to use	Indoors
Recommended installation height	4.00 - 14.00 m
Output (resistive load, e.g. all-purpose lamp)	1200W
Output (uncorrected, inductive, cos φ = 0.5, e.g. fluorescent lamps)	600 VA
Output (electronic ballasts, capacitive, e.g. low-energy lamps)	8 each max., C ≤ 176 µF
Angle of coverage	360°
Reach	18 m
Capability of masking out individual segments	Yes
Sensor system	11 detection levels, 1416 switching zones
Parallel-connected configurations	Yes
Response brightness	2 - 2000 lx
Time setting	15 sec. - 30 min.
IP rating	IP20
Protection class	II
Enclosure	UV-resistant plastic
Temperature range	- 20 to +50°C

### Accessories

EAN height adapter EM1	4007841 013226
EAN shroud LC4 for reducing reach	4007841 009267
EAN shroud LC5 for 180° detection	4007841 009274

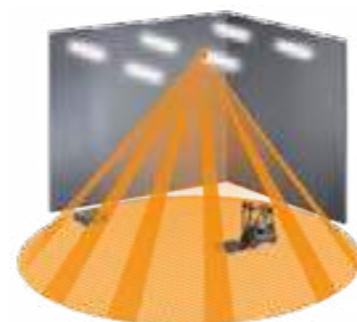


HBS 300 Highbay detection zone precision adjustment by re-positioning the lens  
black = tangential walking direction  
orange = radial walking direction



Also suitable for parallel operating mode. Intrinsic-light detection.

Further circuit diagrams starting on page 328.



Shroud LC4



Shroud LC5



Height adapter EM1



Mounted on the light



UV-resistant plastic

